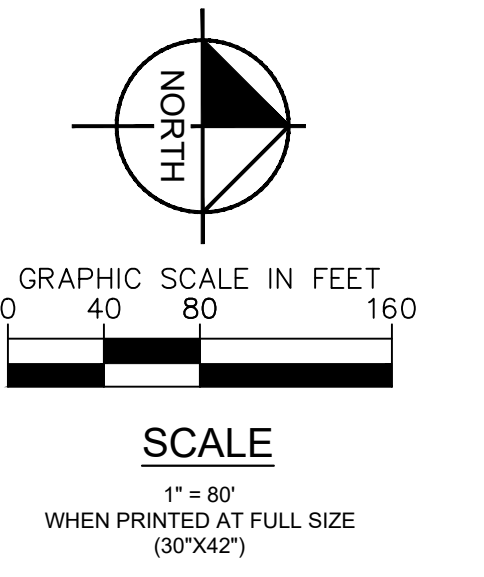




LEGEND

- - - - - EASEMENT LINE
- - - - - RIGHT-OF-WAY LINE
- PROPERTY LINE
- - - - - EX. PROPERTY LINE



1100 WINDING CREEK ROAD
ROSEVILLE, CA, 95678

LOT LINE ADJUSTMENT EXHIBIT

C5.0

Kimley»Horn

